

QUALITROL® 930

Electronic pressure monitor



Detection and protection of dangerous pressure conditions

- Eliminate nuisance operations with adjustable sensitivity and multi-sensor logic
- Monitor pressure remotely with SCADA outputs
- Easy to install with retrofit mounting plates and options for many applications

Product Summary

Description Multi-function, electronic pressure monitor with adjustable pressure sensitive sensors that provide rapid pressure rise detection combined with seal-in relay functionality and static pressure monitoring and control. Features continuous outputs for integration with SCADA systems and remote monitoring. Optional multi-sensor models provide logic based operation to eliminate nuisance trip alarm potential.

Application For advanced pressure monitoring of pressure vessels including rapid pressure rise and static (slow) pressure change. Nuisance or “false” trip signals experienced with single point devices can be minimized with logic based, multi-sensor, models.



QUALITROL®

Defining Reliability

QUALITROL® 930 electronic pressure monitor

Detection and protection of dangerous pressure conditions

- Electronic pressure sensors continuously output current pressure level to detect dangerous rapid pressure and static (slow) pressure events
- Local LED indication and relay actuation for rapid pressure and static pressure events
- Selectable seal-in relay function keeps the indicating LEDs lit and relays (contacts) actuated until manually reset

Eliminate nuisance operations with adjustable sensitivity and multi-sensor logic

- Special models feature 2 of 3 logic to trigger a trip signal only if 2 of the 3 pressure sensors experience a pressure event exceeding set points
- Adjustable fast (rapid) pressure rise and slow pressure rise set points for custom operation for your particular acceptable risk level
- Momentary or seal-in actuation of control and alarm signals can be selected
- Sensors feature individual set points to provide alarms prior to trip signals should a pressure event occur (to alert personnel of non-standard conditions without tripping the unit)

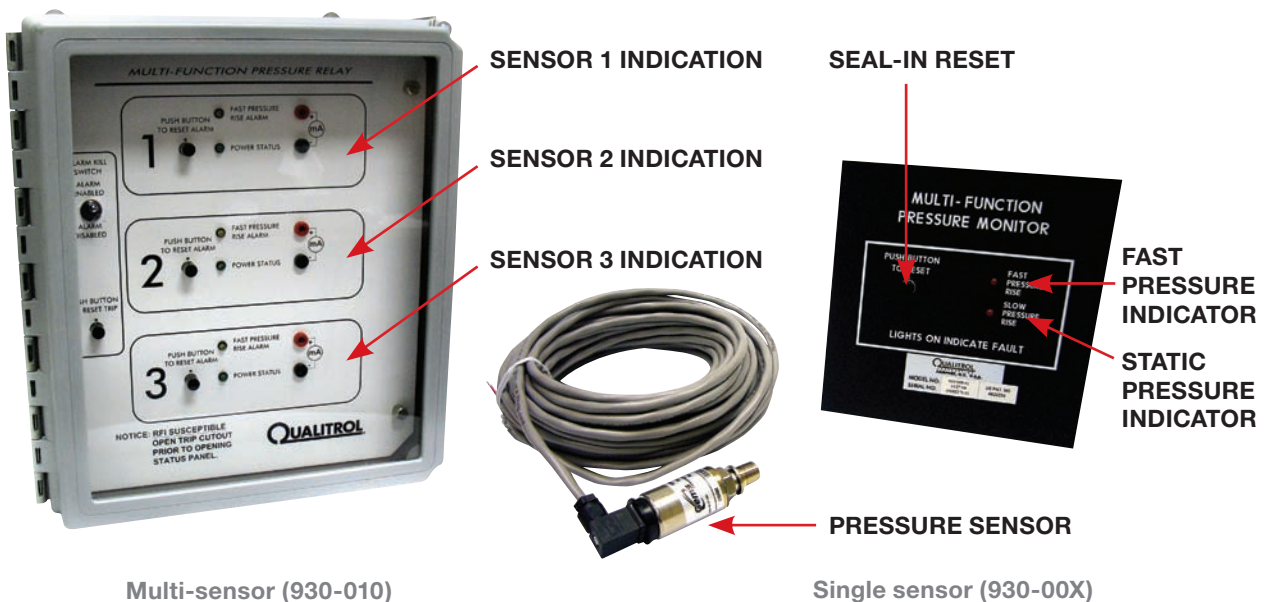
Monitor pressure remotely with SCADA outputs

- Continuous 0-1 mA or 4-20 mA output signal is supplied from each channel for remote transformer pressure indication or SCADA system integration
- Up to 9 SPDT relays (6 for fast pressure rise, 2 for slow pressure rise, 1 for power status)

Easy to install with retrofit mounting plates and options for many applications

- Pressure sensors can be mounted via flange mount adapter for retrofit to existing installations of QUALITROL 900/910 flange mount rapid pressure rise relays
- Sensors have 1/4" NPT male fitting for easy mounting or adapting to existing fill ports
- Sensors are suitable for installation in gas or oil space of transformers
- Universal power supply accepts any input voltage in the range of 85-265 VAC 50/60 Hz or 110-370 VDC

930 features





TECHNICAL SPECIFICATIONS

Mechanical	Mounting	Pressure sensor: 1/4" - 18 NPT pressure input port Panel and control board: mounting studs
	Accuracy	Fast pressure: adjustable within limits Slow pressure: 2% span @ 77°F (25°C)
	Operating curve	Rapid pressure: Rotary switch selectable with 16 different settings Slow pressure: Adjustable from 1-15 PSIG (0-1 bar) for actuation
	Indicators	2 LEDs per sensor, indicating source of actuation or power status
	Sensor cable length	750 ft. maximum (228.6 m)
	Environmental	Ambient operating temperatures
Relative humidity		10% to 90% non-condensing
Input pressure range		0-30 PSIG (0-2 bar)
Vibration		50/60/100/120 Hz @ .004 inch displacement, 3 perpendicular axis
Shock		10Gs half sine pulse, 3 msec., 3 perpendicular axis
Electrical		Input power
	Number of switches	Single sensor: 3 SPDT (2 fast pressure, 1 slow pressure) or (1 fast pressure, 1 slow pressure, 1 power status) Multi-sensor: 9 SPDT (6 fast pressure, 2 slow pressure, 1 power status)
	Switch rating	120 VAC or 240 VAC: 10A, 1/3 HP
	Remote output	0 to 1 mA (12,000Ω max load) 4 to 20 mA (600Ω max. load)
	Dielectric strength	1500 VAC common mode on TB3-1,2,4-9 to TB3-3 for 60 seconds NOTE: do not hi-pot sensors
	Transient suppression	2500 V common mode and transverse mode on input per ANSI/IEEE C37.90



Don't see what you need?

QUALITROL regularly creates models with special customer requirements. Contact your local sales representative or QUALITROL Application Engineer to review your special requirements.

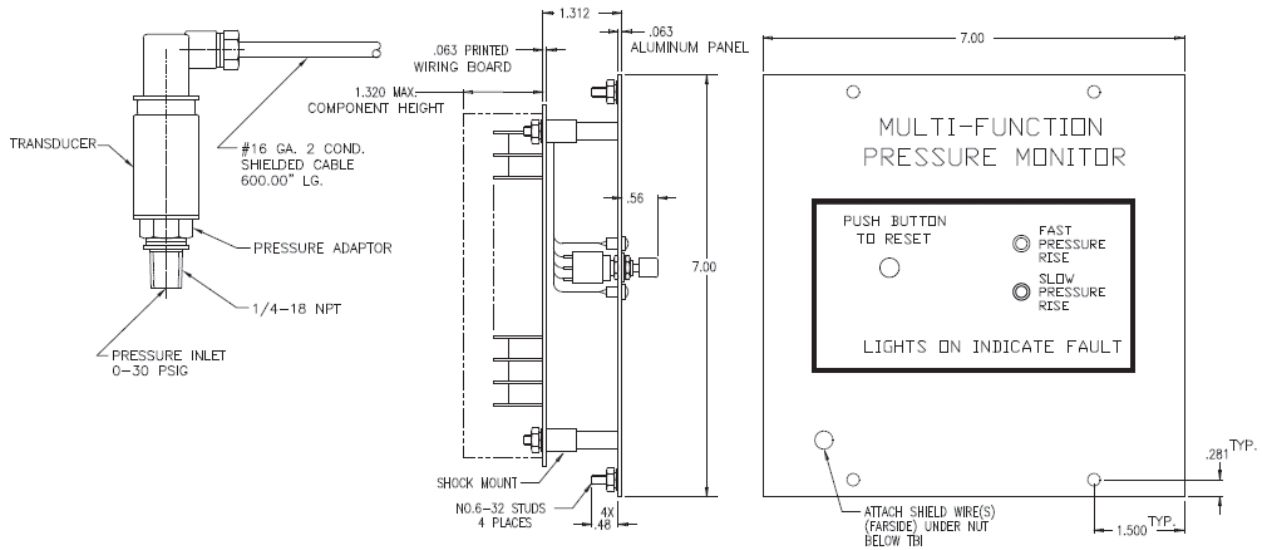
Email info@qualitrolcorp.com

www.qualitrolcorp.com

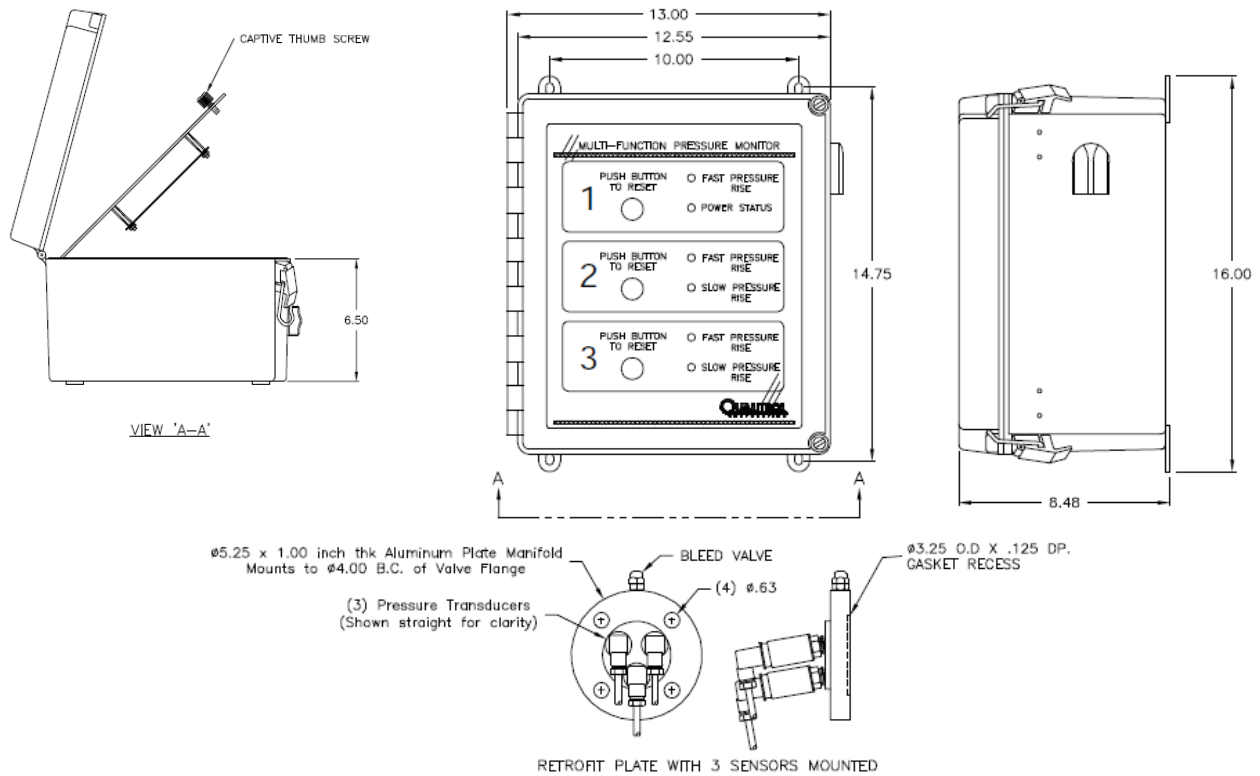


QUALITROL® 930 electronic pressure monitor

Single sensor pressure monitor



Multi-sensor pressure monitor



©2008 QUALITROL® Company LLC, an ISO 9001 system certified company. All rights reserved. Information subject to change without notice. All trademarks are properties of their respective companies, as noted herein. AP-P06-02L-01E.