

QUALITROL® 121

Direct mount thermometers with flexible probe



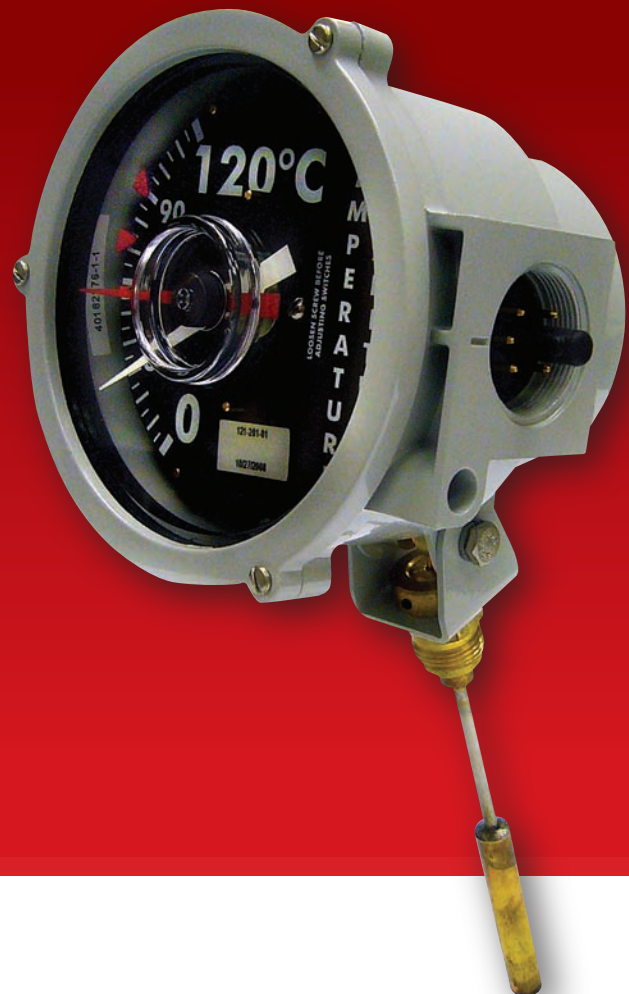
Maximum view of temperature indication with flexible probe

- Control and alarm with up to 3 integrated switches
- Designed and tested to ensure quality and performance

Product Summary

Description Side or top mounting bourdon tube thermometers equipped with a 4.5" (114.3 mm) dial face for temperature indication. Features a swivel probe design that allows for the dial to be angled for more convenient viewing, a resettable maximum temperature pointer, and up to 3 switches (contacts) for control and alarm functions. Normally installed in optional well (pocket) that allows units to be replaced or tested without lowering the oil level in the tank or breaking the tank seal.

Application For temperature indication and control or alarm functions where the point of measurement (the well or pocket) is on the side or top of the apparatus and can be easily viewed.



QUALITROL®
Defining Reliability

QUALITROL® 121 direct mount thermometers with flexible probe

Maximum view of temperature indication with flexible probe

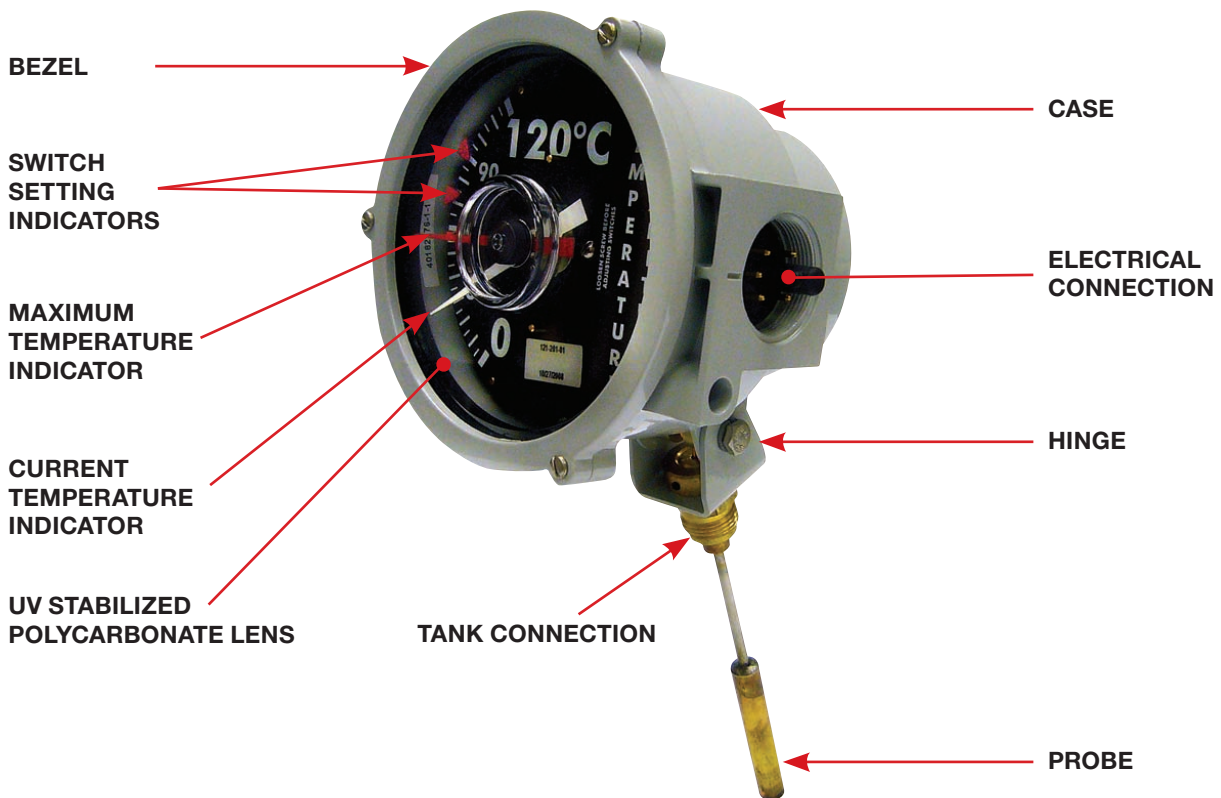
- Swivel probe provides up to 160 degrees of angular rotation for convenient viewing
- Vented case design prevents moisture from accumulating under the lens (sealed versions available)
- The lens is made of clear, UV stabilized, molded polycarbonate for easy, scratch-resistant viewing throughout the life of the unit
- Equipped with a 4.5" (114.3 mm) dial face for clear temperature indication

Control and alarm with up to 3 integrated switches

- Available with up to 3 switches for alarm, cooling or other control functions (2 fully adjustable and 1 fixed)
- Control motors up to 3/4 HP

Designed and tested to ensure quality and performance

- A neoprene gasket, integral to the lens and bezel assembly, forms a weather-resistant seal to protect the internal mechanism from the environment
- Provides accuracy within $\pm 2\%$ of full scale
- Sealed models are rated to NEMA 6, ensuring protection against harsh environments
- The magnetically coupled maximum indicating pointer is integral to the polycarbonate lens, providing easy reset without creating a moisture leak path
- Rugged, cast-aluminum housing with thermosetting powder coat finish



QUALITROL®
Defining Reliability

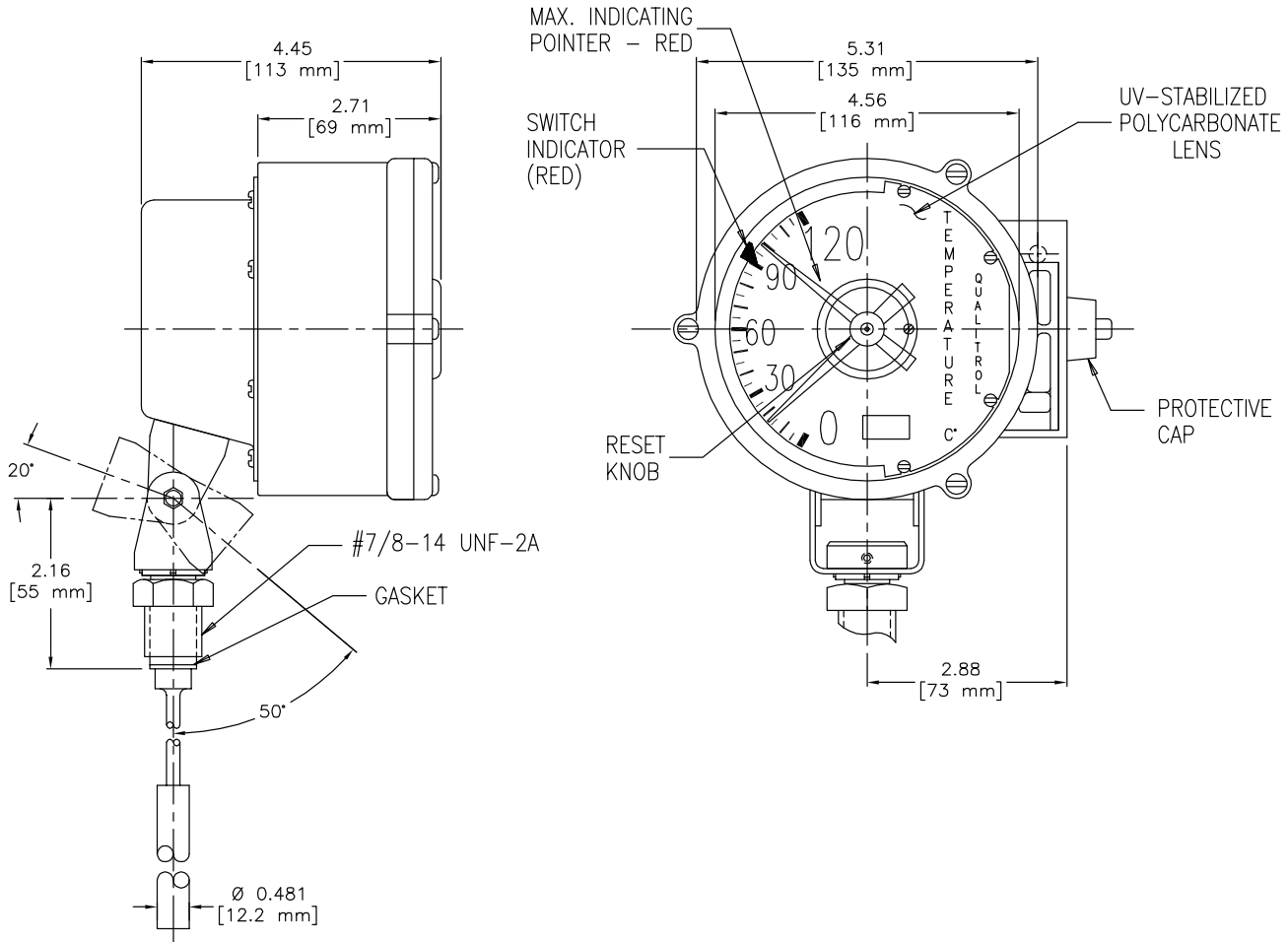


TECHNICAL SPECIFICATIONS

Mechanical	Mounting	Side or top (case angle for viewing is adjustable)
	Mounting adjustment	30°
	Standard dial ranges	0-120°C, 0-160°C, 0-180°C, 20-180°C, 0-200°C, 0-220°C, 0-250°C
	Tank connection	7/8-14 UNF-2A (standard)
	Well connection (external)	1/2 NPT (standard)
	Accuracy	+/- 2% of dial range
	Compensation	+/- 2% of dial range
	Dimensions	Dial diameter
Probe diameter		0.481" (12.2 mm) (standard)
Probe length		5.812" (147.6 mm) (standard)
Materials	Case	Die-cast aluminum, ASA #70 light gray finish
	Bezel	Die-cast aluminum, ASA #70 light gray finish
	Lens	UV stabilized polycarbonate (standard)
	Tank connection fitting	Brass
	Gasket material	Neoprene - 40 ± 5 durometer
	Probe	Brass (standard)
	Environmental	Ambient operating temperature
Dial readability	Scale layout	120° arc (standard)
Electrical	Switch type	SPST or SPDT
	Switch rating (AC)	15A @ 125, 250 & 480 VAC
	Switch rating (DC)	1/2A @ 125 VDC - resistive
		1/4A @ 250 VDC - resistive
		1.5A @ 48 VDC - resistive
	Inductive power factor	75%
	Switch tolerance	+/- 2% of dial range (with the pointer rotating at a speed of 25% of the dial range/minute)
	Switch repeatability	+/- 1.250% of dial range (with the pointer rotating at a speed of 25% of the dial range/minute)
	Minimum spacing between switch settings	Recommended to be no less than 4% of dial range
	Electrical connections	QUALITROL, military, ANSI, flying leads, permanently attached cable
Dielectric strength	1500 VAC for one minute	

Email info@qualitrolcorp.com
www.qualitrolcorp.com

QUALITROL® 121 direct mount thermometers with flexible probe



Don't see what you need?

QUALITROL regularly creates models with special customer requirements. Contact your local sales representative or QUALITROL Application Engineer to review your special requirements.

QUALITROL® Field Services

To further improve reliability, QUALITROL provides comprehensive education and on-site commissioning services, maintenance contracts and technical support to all customers worldwide. Emergency response is available on all products and services.

About QUALITROL®

QUALITROL Company LLC manufactures substation and transformer monitoring and protection devices used by electric utilities and manufacturing companies. It is the global leader in sales and installations of transformer asset protection equipment, fault recorders and fault locators. Established in 1945, QUALITROL Company produces thousands of different types of products on demand, each customized to customers' unique requirements.

©2008 QUALITROL® Company LLC, an ISO 9001 system certified company. All rights reserved. Information subject to change without notice. All trademarks are properties of their respective companies, as noted herein. AP-T01-05A-01E.



Email info@qualitrolcorp.com
www.qualitrolcorp.com